

MOVE IT

MAGNETIC TRACK LED LIGHTING SYSTEM

D DEUTSCH
E ENGLISH

XAL

EVERYTHING IS POSSIBLE

VIELFÄLTIGE GESTALTUNGSSPIELRÄUME DANK MAGNETHALTERUNG.

VERSATILE CONFIGURATION SCHEMES THANKS TO MAGNETIC MOUNTING.

KEY FACTS



| | |
|--------------------|-------------------------------------|
| PROFILE | 25 mm 45 mm |
| INSET | spot opal wallwasher |
| INSET FIXING | tool-less with magnet |
| MAX. INSET LENGTH | 600 mm |
| POWER SUPPLY | integrated current feed (24V, DALI) |
| DIMMING | DALI |
| COLOUR TEMPERATURE | 2700 K 3000 K |
| COLOUR RENDERING | CRI 80 |
| LIFE CYCLE LED | 50.000 h L70 |
| WARRANTY | 5 years |

D ANPASSUNGSFÄHIG

Das MOVE IT System revolutioniert das Stromschienenkonzept, denn alles ist möglich. MOVE IT vereint minimalistisches Design und höchste Flexibilität. Die Magnetbefestigung erlaubt ein schnelles und kurzfristiges Wechseln aller Insets. Und das werkzeuglos! Ein überzeugendes Stromschienenystem, das randlos verbaut werden kann mit Schlitzbreiten von 25 oder 45 mm, die Einsätze mit verschiedenen Längen, Optiken und lichttechnischen Eigenschaften zulassen. Das eröffnet Architekten und Planern eine fast grenzenlose Bandbreite an Lösungs- und Gestaltungsmöglichkeiten.

MAGNETBEFESTIGUNG FÜR HÖCHSTMÖGLICHE FLEXIBILITÄT

Die Befestigung der verschiedenen Insets in den Profilen erfolgt mit integrierten Magneten. Lange und komplizierte Demontearbeiten zum Umgestalten und Umgruppieren von Spots, Wallwashern, Pendelleuchten und anderen Insets sind hiermit Geschichte. Schnell und problemlos lassen sich die Insets von jedermann umstecken. Das spart Zeit und Geld. Ein großer Schritt in die lichttechnische Unabhängigkeit für jeden Galeristen oder diejenigen, die ihre Raum- bzw. Objektbeleuchtung regelmäßig ändern müssen.

DIMMBARKEIT MIT DALI SIGNAL

Alle Leuchten des MOVE IT Systems sind standardmäßig mit DALI-Betriebsgeräten ausgestattet. In das Systemprofil ist eine Stromschiene mit DALI-Leitungen integriert, sodass aufwendige Verkabelungsarbeiten an der Baustelle entfallen. Die Versorgungsspannung sowie das DALI-Signal werden über gefederte Abgreifer auf die Insets übertragen. Durch die Adressierbarkeit von DALI können die Insets unterschiedlich geschaltet, gedimmt und gruppiert werden. In Verbindung mit handelsüblichen DALI-Steuergeräten oder dem XAL-LC sind somit – je nach Nutzung des Raumes – unterschiedliche Lichtszenen realisierbar.

E ADAPTABLE

The MOVE IT system revolutionises the lighting track concept; making anything possible. MOVE IT combines minimalist design and maximum flexibility. The magnetic mount allows fast and quick changes of all the insets; without any tools! A winning tracked lighting system, which can be rimless-installed, with slot widths of 25 or 45 mm and allows the use of insets with different lengths, optics and technical lighting characteristics. This gives architects and designers an almost limitless range of solutions and design options.

MAGNETIC MOUNT FOR MAXIMUM FLEXIBILITY

Attachment of the various insets in the profiles is achieved through integrated magnets. Long and complicated disassembly work for remodelling and regrouping of spots, wall washers, suspended luminaires and other insets are now just history. The insets can be quickly and easily re-inserted by anyone. This saves time and money and is a big step towards independence in technical lighting for every display gallery or for those who need to change their room or object illumination regularly.

DIMMABLE WITH DALI SIGNAL

All lamps of the MOVE IT system are equipped with DALI devices. In the system profile a busbar with DALI lines is built in, so there is no need for complex wiring work on the construction site. The supply voltage and the DALI signal is transferred via sprung connecting clips to the insets. With the addressability of DALI, the insets can all be switched, dimmed and grouped differently. In conjunction with standard DALI control devices or the XAL-LC, different light scenes can be realised depending on how the room is being used.



D INSET SINGLE SPOT
 Einzelspot in neigbarer Ausführung mit unterschiedlichen Strahlungswinkeln für zonale Lichtwirkung.

E SINGLE SPOT INSET
 Tilttable version of single spot with different beam angles for zonal lighting effect.



D INSET OPAL
 Lichteinsatz mit diffuser Abstrahlcharakteristik für Allgemeinbeleuchtung.

E OPAL INSET
 Light inset with diffuse beam characteristics for general lighting.



D INSET SPOT FLUSH
 Inset als Multispot mit einzelnen Lichtpunkten für gerichtete Lichtwirkung. Lichtaustrittsöffnung bündig mit Aluminiumprofil.

E FLUSH SPOT INSET
 A multi-spot inset with individual light points for a directional lighting effect. Light aperture flush with aluminium profile.



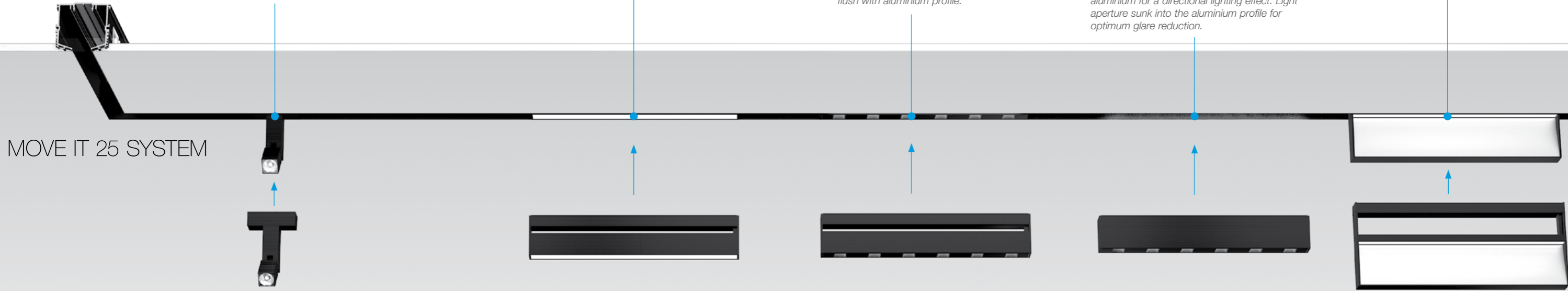
D INSET SPOT IN
 Inset als Multispot mit einzelnen Lichtpunkten im Aluminium für gerichtete Lichtwirkung. Lichtaustrittsöffnung für optimale Ausblendung im Aluminiumprofil versenkt.

E SPOT IN INSET
 A multi-spot inset with individual light points in aluminium for a directional lighting effect. Light aperture sunk into the aluminium profile for optimum glare reduction.



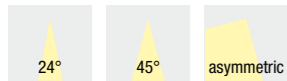
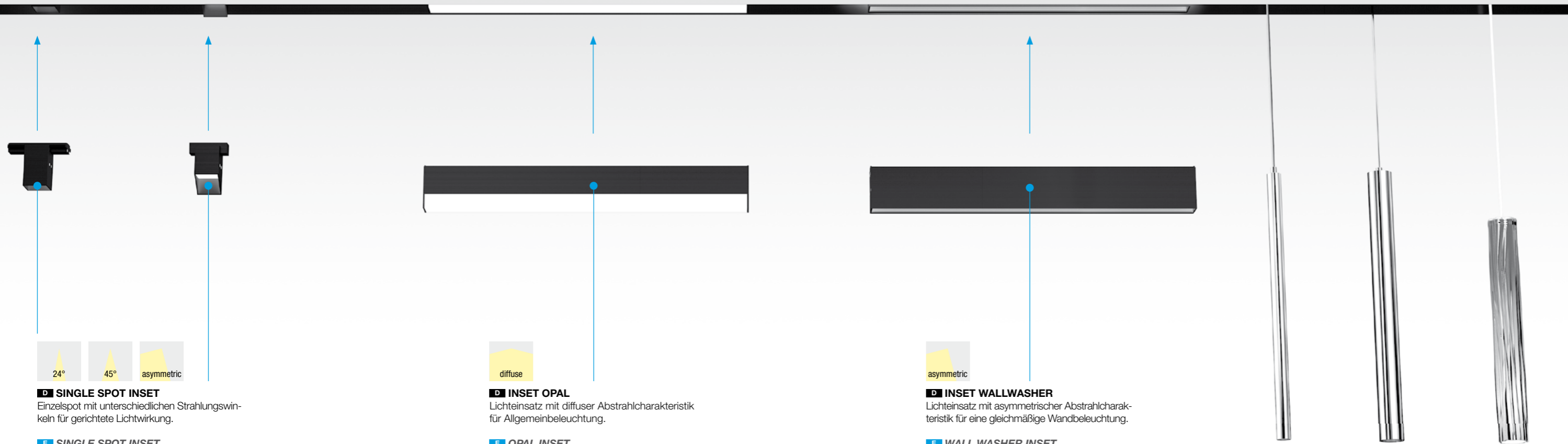
D INSET WALLWASHER
 Lichteinsatz mit asymmetrischer Abstrahlcharakteristik für eine gleichmäßige Wandbeleuchtung.

E WALL WASHER INSET
 Light inset with asymmetric beam pattern for a uniform wall illumination.



MOVE IT 25 SYSTEM

MOVE IT 45 SYSTEM



D SINGLE SPOT INSET
 Einzelspot mit unterschiedlichen Strahlungswinkeln für gerichtete Lichtwirkung.

E SINGLE SPOT INSET
 A single spot with different beam angles for a directional lighting effect.



D INSET OPAL
 Lichteinsatz mit diffuser Abstrahlcharakteristik für Allgemeinbeleuchtung.

E OPAL INSET
 Light inset with diffuse beam characteristics for general lighting.

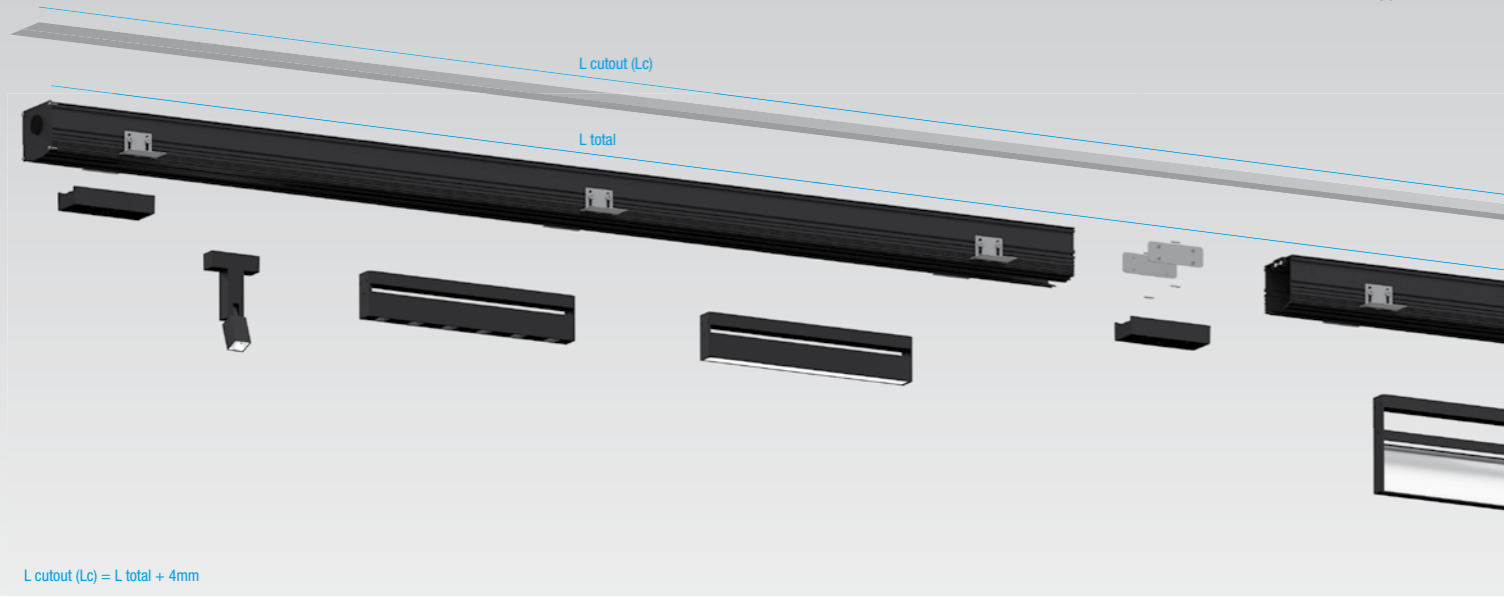
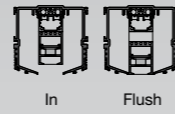


D INSET WALLWASHER
 Lichteinsatz mit asymmetrischer Abstrahlcharakteristik für eine gleichmäßige Wandbeleuchtung.

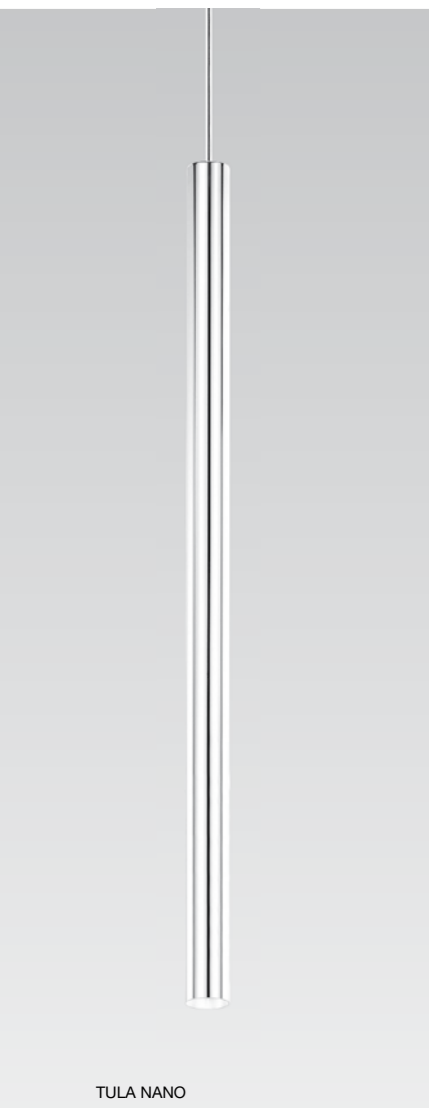
E WALL WASHER INSET
 Light inset with asymmetric beam pattern for uniform wall illumination.

D INSET PENDELLEUCHTEN
 Lichteinsatz in Form von drei verschiedenen Pendelleuchten mit spotförmiger Abstrahlcharakteristik zur Tisch- und Objektzonierung. Passend für Move it System 25 und Move it System 45.

E SUSPENDED LUMINAIRE INSET
 Light inset in the form of three different suspended luminaires with spot-like beam characteristics for desktops and object zoning. Fits Move it System 25 and Move it System 45.



L cutout (Lc) = L total + 4mm



TULA NANO



CORD



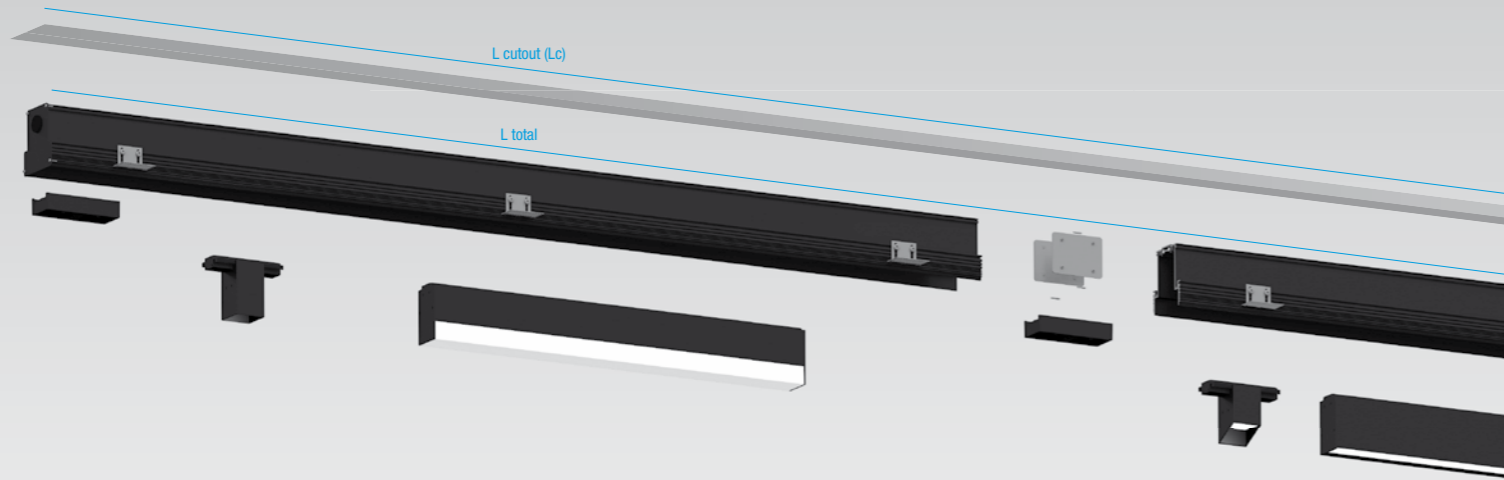
SINGLE SPOT
OPAL FLUSH
SPOT IN

- D**
- Profilsystem mit 25mm Fugenbreite für flexible Aufnahme der Light Insets
 - Befestigung der Light Insets mit Magnethalterung für absolut flexible Anordnung
 - Light Insets wahlweise mit Spot-Charakteristik,
 - mit opaler Abstrahlung oder als Wallwasher erhältlich
 - Einsatz von Pendelleuchten Tula und Cord möglich
 - Profil geeignet für randlosen Einbau in Gipskartondecken von 10-25mm
 - Energieeffiziente LEDs mit hoher Farbwiedergabe
 - Lieferbar in Lichtfarben 2700K und 3000K
 - Insets dimmbar mit DALI Signal

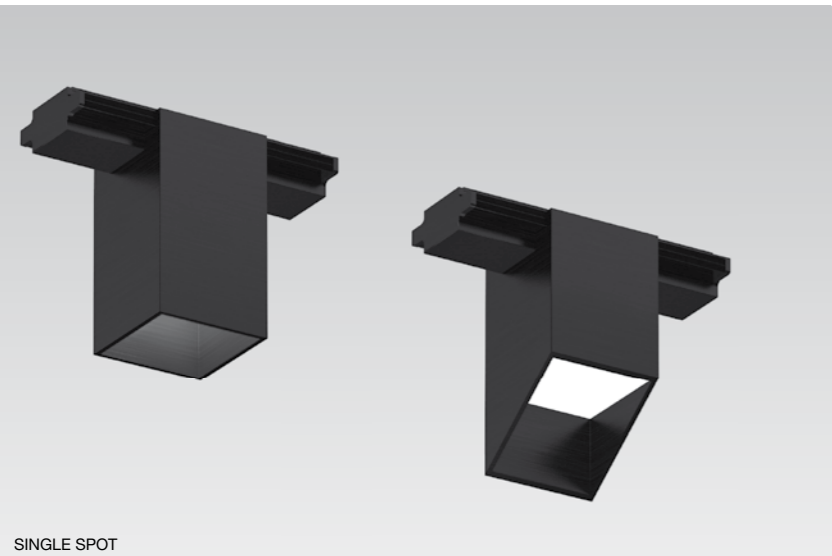
- E**
- Profile system with 25mm gap for flexible insertion of light insets
 - Mounting of light insets via magnet for absolute positioning flexibility
 - Light insets optionally available either with spot-characteristic,
 - with opal radiation or as wallwasher
 - Use of suspended luminaires Tula and Cord possible
 - Profile suited for trimless installation in plasterboard ceilings 10-25mm
 - Energy efficient LEDs with high CRI
 - Available in 2700K and 3000K
 - Insets dimmable via DALI signal

MOVE IT 25 SYSTEM

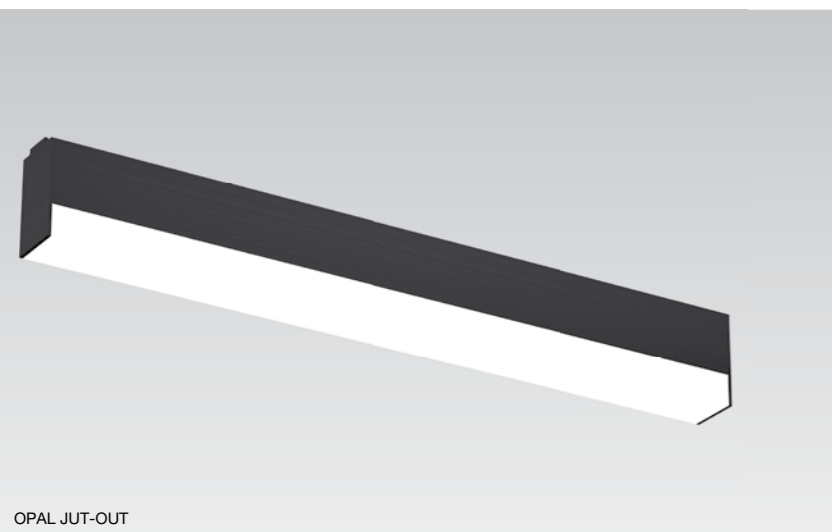
| DRAWING | TYPE | LENGTH | WATTAGE | LED COLOUR | LUMINOUS FLUX | OPTIC | CODE | | | | | | |
|---------------------------------------|----------------------------------|------------|--------------|------------|---------------|--------------|------------------|------------|--------------|------------|--------------|------------|--------------|
| | INSTALLATION TRACK | 500 mm | | | | | 051-1022008 | | | | | | |
| | | 1000 mm | | | | | 051-1023008 | | | | | | |
| | | 1500 mm | | | | | 051-1024008 | | | | | | |
| | | 2000 mm | | | | | 051-1025008 | | | | | | |
| | | 3000 mm | | | | | 051-1027008 | | | | | | |
| | | custom cut | | | | | E82750xxxx8 | | | | | | |
| | MOUNTING BRACKET SET (1 piece) | | | | | | 051-1060000 | | | | | | |
| | MOUNTING BRACKET SET (25 pieces) | | | | | | 051-1060000.25 | | | | | | |
| | END CAPS | | | | | | 051-1040008 | | | | | | |
| | LINEAR CONNECTOR (1 piece) | | | | | | 051-1050000 | | | | | | |
| | LINEAR CONNECTOR (10 pieces) | | | | | | 051-1050000.10 | | | | | | |
| | CORNER CONNECTOR 90° | | | | | | 051-1030008 | | | | | | |
| | FEEDER UNIT | | | | | | 051-1070000 | | | | | | |
| | TRACK CONNECTOR LINEAR | | | | | | 051-1070100 | | | | | | |
| TRACK CONNECTOR CORNER | | | | | | 051-1070200 | | | | | | | |
| LED CONVERTER (see Vol14 v2 page 180) | | | | | | | | | | | | | |
| | INSET SINGLE SPOT | 90 mm | 3 W LED | 2700 K | 140 lm | spot 25° | 051-1351438S | | | | | | |
| | | | | 2700 K | 140 lm | medium 47° | 051-1351438M | | | | | | |
| | | | | 3000 K | 140 lm | spot 25° | 051-1351538S | | | | | | |
| | | | | 3000 K | 140 lm | medium 47° | 051-1351538M | | | | | | |
| | INSET OPAL FLUSH | 305 mm | 9 W LED | 2700 K | 600 lm | opal | 051-1251438O | | | | | | |
| | | | | 3000 K | 610 lm | opal | 051-1251538O | | | | | | |
| | | | | 605 mm | 18 W LED | 2700 K | 1200 lm | opal | 051-1252438O | | | | |
| | | | | | | 3000 K | 1200 lm | opal | 051-1252538O | | | | |
| | | | | | | | INSET SPOT FLUSH | 155 mm | 3x1,2 W LED | 2700 K | 200 lm | medium 27° | 051-1250438M |
| | | | | | | | | | | 3000 K | 220 lm | medium 27° | 051-1250538M |
| 305 mm | 6x1,2 W LED | 2700 K | 400 lm | medium 27° | 051-1251438M | | | | | | | | |
| | | 3000 K | 430 lm | medium 27° | 051-1251538M | | | | | | | | |
| | | 605 mm | 12x1,2 W LED | 2700 K | 800 lm | | | | | medium 27° | 051-1252438M | | |
| | | | | 3000 K | 870 lm | | | | | medium 27° | 051-1252538M | | |
| | INSET SPOT IN | 155 mm | 3x1,2 W LED | 2700 K | 200 lm | spot 17° | 051-1150438S | | | | | | |
| | | | | 3000 K | 220 lm | spot 17° | 051-1150538S | | | | | | |
| | | | | 305 mm | 6x1,2 W LED | 2700 K | 400 lm | spot 17° | 051-1151438S | | | | |
| | | | | | | 3000 K | 430 lm | spot 17° | 051-1151538S | | | | |
| | | | | | | 605 mm | 12x1,2 W LED | 2700 K | 800 lm | spot 17° | 051-1152438S | | |
| | | | | | | | | 3000 K | 870 lm | spot 17° | 051-1152538S | | |
| | INSET WALLWASHER | 305 mm | 9 W LED | 2700 K | 550 lm | asymmetric | 051-1751438A | | | | | | |
| | | | | 3000 K | 560 lm | asymmetric | 051-1751538A | | | | | | |
| | | | | 605 mm | 18 W LED | 2700 K | 1100 lm | asymmetric | 051-1752438A | | | | |
| | | | | | | 3000 K | 1100 lm | asymmetric | 051-1752538A | | | | |
| | | | | | | | INSET TULA NANO | H 500 mm | 5 W LED | 2700 K | 200 lm | chrome | 053-5280414M |
| | | | | | | | | | | 3000 K | 230 lm | chrome | 053-5280514M |
| 2700 K | 200 lm | grey | 053-528041JM | | | | | | | | | | |
| 3000 K | 230 lm | grey | 053-528051JM | | | | | | | | | | |
| 2700 K | 200 lm | black | 053-528041LM | | | | | | | | | | |
| 3000 K | 230 lm | black | 053-528051LM | | | | | | | | | | |
| | INSET TULA MICRO | H 300 mm | 5 W LED | 2700 K | 200 lm | | | | | chrome | 053-5380414M | | |
| | | | | 3000 K | 230 lm | | | | | chrome | 053-5380514M | | |
| | | | | 2700 K | 200 lm | | | | | grey | 053-538041JM | | |
| | | | | 3000 K | 230 lm | | | | | grey | 053-538051JM | | |
| | | | | 2700 K | 200 lm | | | | | black | 053-538041LM | | |
| | | | | 3000 K | 230 lm | | | | | black | 053-538051LM | | |
| | | H 500 mm | 5 W LED | 2700 K | 200 lm | chrome | 053-5580414M | | | | | | |
| | | | | 3000 K | 230 lm | chrome | 053-5580514M | | | | | | |
| | | | | 2700 K | 200 lm | grey | 053-558041JM | | | | | | |
| | | | | 3000 K | 230 lm | grey | 053-558051JM | | | | | | |
| | | | | 2700 K | 200 lm | black | 053-558041LM | | | | | | |
| | | | | 3000 K | 230 lm | black | 053-558051LM | | | | | | |
| | INSET CORD | H 400 mm | 5 W LED | 2700 K | 200 lm | clear-silver | 053-5480410M | | | | | | |
| | | | | 3000 K | 230 lm | clear-silver | 053-5480510M | | | | | | |
| | | | | 2700 K | 200 lm | chrome | 053-5480416M | | | | | | |
| | | | | 3000 K | 230 lm | chrome | 053-5480516M | | | | | | |
| | | | | 2700 K | 200 lm | white | 053-5480417M | | | | | | |
| | | | | 3000 K | 230 lm | white | 053-5480517M | | | | | | |
| | | | | 2700 K | 200 lm | black | 053-5480418M | | | | | | |
| | | | | 3000 K | 230 lm | black | 053-5480518M | | | | | | |



L cutout (Lc) = L total + 4mm



SINGLE SPOT



OPAL JUT-OUT



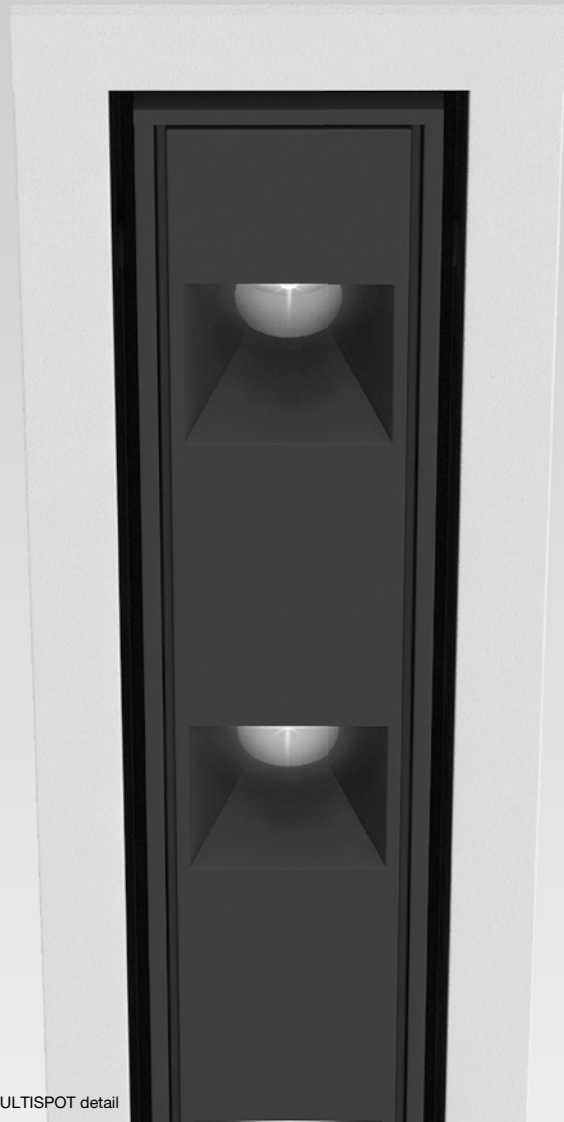
SINGLE SPOT
OPAL JUT-OUT
WALLWASHER

- D**
- Profilsystem mit 45mm Fugenbreite für flexible Aufnahme der Light Insets
 - Befestigung der Light Insets mit Magnethalterung für absolut flexible Anordnung
 - Light Insets wahlweise mit Spot-Charakteristik,
 - mit opaler Abstrahlung oder als Wallwasher erhältlich
 - Einsatz von Pendelleuchten Tula und Cord möglich
 - Profil geeignet für randlosen Einbau in Gipskartondecken von 10-25mm
 - Energieeffiziente LEDs mit hoher Farbwiedergabe
 - Lieferbar in Lichtfarben 2700K und 3000K
 - Insets dimmbar mit DALI Signal

- E**
- Profile system with 45mm gap for flexible insertion of light insets
 - Mounting of light insets via magnet for absolute positioning flexibility
 - Light insets optionally available either with spot-characteristic,
 - with opal radiation or as wallwasher
 - Use of suspended luminaires Tula and Cord possible
 - Profile suited for trimless installation in plasterboard ceilings 10-25mm
 - Energy efficient LEDs with high CRI
 - Available in 2700K and 3000K
 - Insets dimmable via DALI signal

MOVE IT 45 SYSTEM

| DRAWING | TYPE | LENGTH | WATTAGE | LED COLOUR | LUMINOUS FLUX | OPTIC | CODE |
|------------------------------------|----------------------------------|------------|----------|------------|---------------|--------------|----------------|
| | INSTALLATION TRACK | 500 mm | | | | | 051-2022008 |
| | | 1000 mm | | | | | 051-2023008 |
| | | 1500 mm | | | | | 051-2024008 |
| | | 2000 mm | | | | | 051-2025008 |
| | | 3000 mm | | | | | 051-2027008 |
| | | custom cut | | | | | E82760xxxx8 |
| | MOUNTING BRACKET SET (1 piece) | | | | | | 051-1060000 |
| | MOUNTING BRACKET SET (25 pieces) | | | | | | 051-1060000.25 |
| | END CAPS | | | | | | 051-2040008 |
| | LINEAR CONNECTOR (1 piece) | | | | | | 051-2050000 |
| | LINEAR CONNECTOR (10 pieces) | | | | | | 051-2050000.10 |
| | CORNER CONNECTOR 90° | | | | | | 051-2030008 |
| | FEEDER UNIT | | | | | | 051-1070000 |
| | TRACK CONNECTOR LINEAR | | | | | | 051-1070100 |
| TRACK CONNECTOR CORNER | | | | | | 051-1070200 | |
| LED CONVERTER (see Vol14 page 186) | | | | | | | |
| | INSET SINGLE SPOT | 90 mm | 5 W LED | 2700 K | 200 lm | medium 24° | 051-2361438M |
| | | | | 2700 K | 200 lm | flood 45° | 051-2361438F |
| | | | | 2700 K | 200 lm | wallwasher | 051-2361438A |
| | | | | 3000 K | 230 lm | medium 24° | 051-2361538M |
| | | | | 3000 K | 230 lm | flood 45° | 051-2361538F |
| | | | | 3000 K | 230 lm | wallwasher | 051-2361538A |
| | | | | 3000 K | 230 lm | wallwasher | 051-2361538A |
| | INSET OPAL JUT-OUT | 305 mm | 9 W LED | 2700 K | 550 lm | jut-out | 051-2261438J |
| | | 605 mm | 18 W LED | 3000 K | 560 | jut-out | 051-2261538J |
| | | | | 2700 K | 1100 lm | jut-out | 051-2262438J |
| | | | | 3000 K | 1100 lm | jut-out | 051-2262538J |
| | INSET WALLWASHER | 305 mm | 9 W LED | 2700 K | 580 lm | asymmetric | 051-2761438A |
| | | 605 mm | 18 W LED | 3000 K | 590 lm | asymmetric | 051-2761538A |
| | | | | 2700 K | 1200 lm | asymmetric | 051-2762438A |
| | | | | 3000 K | 1200 lm | asymmetric | 051-2762538A |
| | INSET TULA NANO | H 500 mm | 5 W LED | 2700 K | 200 lm | chrome | 053-5280414M |
| | | | | 3000 K | 230 lm | chrome | 053-5280514M |
| | | | | 2700 K | 200 lm | grey | 053-528051JM |
| | | | | 3000 K | 230 lm | grey | 053-528051JM |
| | | | | 2700 K | 200 lm | black | 053-528051LM |
| | | | | 3000 K | 230 lm | black | 053-528051LM |
| | | | | 2700 K | 200 lm | black | 053-528051LM |
| | | | | 3000 K | 230 lm | black | 053-528051LM |
| | INSET TULA MICRO | H 300 mm | 5 W LED | 2700 K | 200 lm | chrome | 053-5380414M |
| | | | | 3000 K | 230 lm | chrome | 053-5380514M |
| | | | | 2700 K | 200 lm | grey | 053-538041JM |
| | | | | 3000 K | 230 lm | grey | 053-538051JM |
| | | | | 2700 K | 200 lm | black | 053-538041LM |
| | | | | 3000 K | 230 lm | black | 053-538051LM |
| | | | | 2700 K | 200 lm | black | 053-538051LM |
| | | | | 3000 K | 230 lm | chrome | 053-5580414M |
| | | | | 2700 K | 200 lm | chrome | 053-5580514M |
| | | | | 3000 K | 230 lm | grey | 053-558041JM |
| | | | | 2700 K | 200 lm | grey | 053-558051JM |
| | | | | 2700 K | 200 lm | black | 053-558041LM |
| | | | 3000 K | 230 lm | black | 053-558051LM | |
| | INSET CORD | H 400 mm | 5 W LED | 2700 K | 200 lm | clear-silver | 053-5480410M |
| | | | | 3000 K | 230 lm | clear-silver | 053-5480510M |
| | | | | 2700 K | 200 lm | chrome | 053-5480416M |
| | | | | 3000 K | 230 lm | chrome | 053-5480516M |
| | | | | 2700 K | 200 lm | white | 053-5480417M |
| | | | | 3000 K | 230 lm | white | 053-5480517M |
| | | | | 2700 K | 200 lm | black | 053-5480418M |
| | | | | 3000 K | 230 lm | black | 053-5480518M |



MULTISPOT detail



MULTISPOT TRIMLESS | FRAME 300 mm



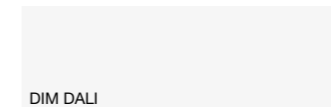
MULTISPOT TRIMLESS | FRAME 300 mm

- | | |
|---|--|
| <p>D</p> <ul style="list-style-type: none"> • Einbaurahmen aus Aluminium schwarz eloxiert oder weiß pulverbeschichtet • Variante für randlosen Einbau oder mit Rand • Randlose Variante für Einbau in Gipskartondecken von 10–25 mm • Variante mit Rand für Einbau in Zwischendecken von 2–25 mm • Lightinset mit schwarz eloxiertem Aluminiumprofil sowie schwarzem Entblendungsvorsatz • Energieeffiziente LEDs mit hoher Farbwiedergabe • Linsen in 2 verschiedenen Ausstrahlwinkeln erhältlich • Standardbestromung von 700mA auf 1000mA umstellbar • Dimmbar mit DALI Signal | <p>E</p> <ul style="list-style-type: none"> • <i>Mounting frame made of black anodised aluminium or white powder coated</i> • <i>Versions for trimless or frame mounting</i> • <i>Trimless version for mounting in plasterboard ceilings of 9–30 mm</i> • <i>Frame version for mounting in inserted ceilings of 2–25 mm</i> • <i>Light inset with black anodised aluminium profile and black anti-glare element</i> • <i>Energy-efficient LEDs with high CRI</i> • <i>Lenses available in 2 beam angles</i> • <i>Standard current feed switchable from 700mA to 1000mA</i> • <i>Dimmable via DALI signal</i> |
|---|--|

MOVE IT MULTISPOT

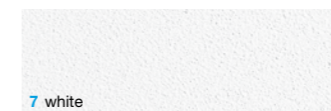
| DRAWING | TYPE | LENGTH | WATTAGE | LED COLOUR | LUMINOUS FLUX | REFLECTOR | CODE |
|---------|-------------------------------|--------|-------------------|------------|---------------------|------------|---------------------|
| | MOVE IT MULTISPOT TRIMLESS | 150 mm | 7 11 W LED | 2700 K | 530 lm 670 lm | spot 25° | 051-711043#S |
| | | | | 2700 K | 530 lm 670 lm | medium 47° | 051-711043#M |
| | | | | 3000 K | 560 lm 710 lm | spot 25° | 051-711053#S |
| | | | | 3000 K | 560 lm 710 lm | medium 47° | 051-711053#M |
| | | | | 4000 K | 560 lm 710 lm | spot 25° | 051-711063#S |
| | | | | 4000 K | 560 lm 710 lm | medium 47° | 051-711063#M |
| | | 300 mm | 15 21 W LED | 2700 K | 1100 lm 1300 lm | spot 25° | 051-711143#S |
| | | | | 2700 K | 1100 lm 1300 lm | medium 47° | 051-711143#M |
| | | | | 3000 K | 1100 lm 1400 lm | spot 25° | 051-711153#S |
| | | | | 3000 K | 1100 lm 1400 lm | medium 47° | 051-711153#M |
| | | | | 4000 K | 1100 lm 1400 lm | spot 25° | 051-711163#S |
| | | | | 4000 K | 1100 lm 1400 lm | medium 47° | 051-711163#M |
| 600 mm | 29 42 W LED | 2700 K | 2100 lm 2700 lm | spot 25° | 051-711243#S | | |
| | | 2700 K | 2100 lm 2700 lm | medium 47° | 051-711243#M | | |
| | | 3000 K | 2300 lm 2800 lm | spot 25° | 051-711253#S | | |
| | | 3000 K | 2300 lm 2800 lm | medium 47° | 051-711253#M | | |
| | | 4000 K | 2300 lm 2800 lm | spot 25° | 051-711263#S | | |
| | | 4000 K | 2300 lm 2800 lm | medium 47° | 051-711263#M | | |
| | MOVE IT MULTISPOT FRAME | 150 mm | 7 11 W LED | 2700 K | 530 lm 670 lm | spot 25° | 051-711043#S |
| | | | | 2700 K | 530 lm 670 lm | medium 47° | 051-711043#M |
| | | | | 3000 K | 560 lm 710 lm | spot 25° | 051-711053#S |
| | | | | 3000 K | 560 lm 710 lm | medium 47° | 051-711053#M |
| | | | | 4000 K | 560 lm 710 lm | spot 25° | 051-711063#S |
| | | | | 4000 K | 560 lm 710 lm | medium 47° | 051-711063#M |
| | | 300 mm | 15 21 W LED | 2700 K | 1100 lm 1300 lm | spot 25° | 051-711143#S |
| | | | | 2700 K | 1100 lm 1300 lm | medium 47° | 051-711143#M |
| | | | | 3000 K | 1100 lm 1400 lm | spot 25° | 051-711153#S |
| | | | | 3000 K | 1100 lm 1400 lm | medium 47° | 051-711153#M |
| | | | | 4000 K | 1100 lm 1400 lm | spot 25° | 051-711163#S |
| | | | | 4000 K | 1100 lm 1400 lm | medium 47° | 051-711163#M |
| | | 600 mm | 29 42 W LED | 2700 K | 2100 lm 2700 lm | spot 25° | 051-711243#S |
| | | | | 2700 K | 2100 lm 2700 lm | medium 47° | 051-711243#M |
| | | | | 3000 K | 2300 lm 2800 lm | spot 25° | 051-711253#S |
| | | | | 3000 K | 2300 lm 2800 lm | medium 47° | 051-711253#M |
| | | | | 4000 K | 2300 lm 2800 lm | spot 25° | 051-711263#S |
| | | | | 4000 K | 2300 lm 2800 lm | medium 47° | 051-711263#M |

CONTROL



COLOUR

051-____#_





XAL GMBH
AUER-WELSBACH-GASSE 36
8055 GRAZ
AUSTRIA
T +43.316.3170
F +43.316.3170.9000
SALES@XAL.COM

XAL ILUMINACIÓN, S.L.
AVDA. MANOTERAS 38,
BLOQUE D, OF. 109
28050 MADRID
SPAIN
T +34.912777577
OFFICE.ES@XAL.COM

XAL EASTERN EUROPE K.S.
VARSAVSKÁ 5
841 03 BRATISLAVA
SLOVAKIA
T +421.2.32660.280
F +421.2.32660.281
OFFICE.SK@XAL.COM

XAL GMBH
WILHELM-WAGENFELD-STRASSE 16
80807 MÜNCHEN
GERMANY
T +49.89.3237380
F +49.89.32373810
OFFICE.DE@XAL.COM

XAL FRANCE
18 AVENUE
FELIX FAURE
69007 LYON
FRANCE
T +33.472178140
OFFICE.FR@XAL.COM

XAL SP. Z.O.O.
UL. PULAWSKA 12A/2
02-566 WARSZAWA
POLAND
T +421.232660280
M +48.730330337
OFFICE.PL@XAL.COM

XAL SCHWEIZ GMBH
HOHLSTRASSE 517
8048 ZÜRICH
SWITZERLAND
T +41.442458090
F +41.442458099
OFFICE.CH@XAL.COM

XAL FZE
RAKIA AMENITY CENTER
AL-JAZEERA AL-HAMRA
RAS AL KHAIMAH
UNITED ARAB EMIRATES
T +971.561711393
OFFICE.UAE@XAL.COM

XAL INDIA PVT. LTD.
F2/13
MIDC, PIMPRI
PUNE 411018
INDIA
T +91.20.66311450
OFFICE.IN@XAL.COM

XAL LTD.
23 BATEMANS ROW
LONDON EC2A 3HH
UNITED KINGDOM
T +44.2031740177
F +44.2032921693
OFFICE.UK@XAL.COM

XAL INC.
520 WEST 27TH STREET
7TH FLOOR, SUITE # 702
NEW YORK, NY 10001
USA
T +1.2123438100 F +1.2123438105
OFFICE.US@XAL.COM

The details provided in this catalogue were correct at the time of publication. They do not constitute any kind of obligation on our part and are for information only. We shall not be held liable for any discrepancies between the illustrations or descriptions given and the actual product. The power input of the LEDs is calculated with driver electronics and gear. We reserve the right to make alterations to our products at any time. All orders will be carried out in accordance with the relevant versions of our General Terms of Business and our Terms of Delivery. These can be viewed at www.xal.com.

WWW.XAL.COM